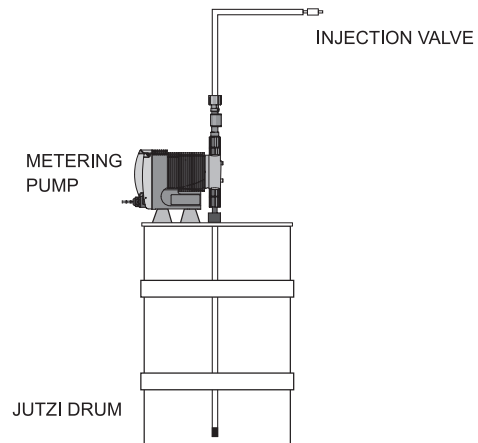


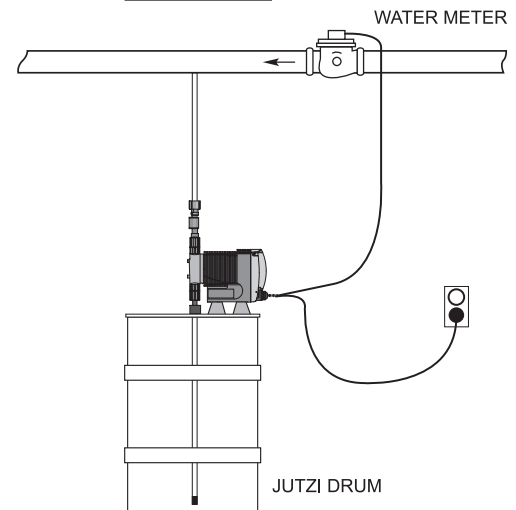
Potable Water Treatment

Common Installation Set-Ups

A) PUMP MOUNTED ABOVE DRUM



B) PULSE WATER METER CONTROL



C) CONTROLLER METERING WATER FLOW AND PULSING A CHEMICAL FEED PUMP

