

# Potable Water Treatment



Certified by NSF and ANSI/NSF Standard 60, Jutzi Water Technologies has products and services to monitor potable water and process water systems. From controlling scale build-up and corrosion, to preventing iron and manganese from staining water rusty and brown, controlling bacteria, system cleaning and flushing. Jutzi Water Technologies will help operate systems efficiently and effectively.



### Chemical Feed and Equipment:

Chemical Dosing Pumps  
Water Meters, Flow Sensors, Turbines  
Controllers  
Testing Equipment  
pH Control, ORP, Conductivity, TDS  
Test Kits & Reagents



Registered to  
ISO 9001



### Water Additives:

Oxidizers & Reducers  
Corrosion Inhibitors  
Coagulants & Flocculant Polymers  
Polyphosphates  
Acids & Alkalis

MEMBER



### Markets Served:

Municipalities  
Industrial  
Commercial  
Agricultural  
Food and Beverage  
Swimming Pool Facilities



PH (519) 814-9283  
TF 1-833-299-9283  
FX (519) 814-9288

Box 280  
525 Wright Blvd.  
Stratford ON N5A 6T1

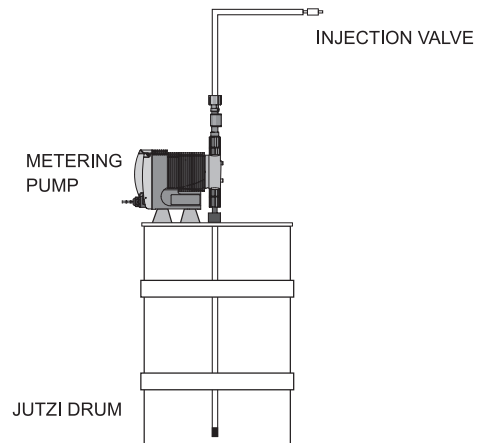
### Mission Statement:

Do our best. Do what's right.  
Treat others as we'd like to be  
treated ourselves.

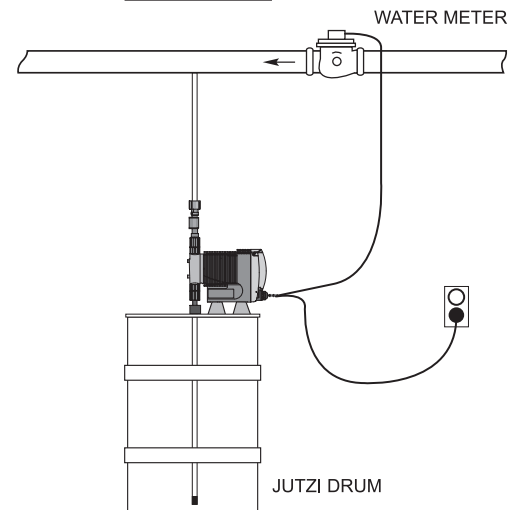
# Potable Water Treatment

## Common Installation Set-Ups

**A) PUMP MOUNTED ABOVE DRUM**



**B) PULSE WATER METER CONTROL**



**C) CONTROLLER METERING WATER FLOW AND PULSING A CHEMICAL FEED PUMP**

